

Haier

EN	Chest Freezer User's Manual
IT	Congelatore Manuale dell'utente
ES	Arcón congelador Manual del usuario
DE	Gefriertruhe Benutzerhandbuch
FR	Congélateur coffre Mode d'emploi
NL	Vrieskist Gebruiksaanwijzing
HU	Fagyasztóláda Felhasználói útmutató
RO	Congelator orizontal Manual de utilizare
BG	Хоризонтален фризер Ръководство на потребителя
CS	Pultová domáci mraznička Uživatelská příručka
PL	Zamrażarka wolnostojąca Instrukcja obsługi
EL	Καταψύκτης - μπαούλο Οδηγίες χρήσης

EN

IT

ES

DE

FR

NL

HU

RO

BG

CS

PL

EL



EN WARNING: Risk of fire/flammable material. The symbol indicates there is a risk of fire since flammable materials are used. Take care to avoid causing a fire by igniting flammable material. **DE WARNUNG:** Brandgefahr/brennbares Material. Das Symbol weist auf Brandgefahr hin, da brennbare Materialien verwendet werden. Verhindern Sie die Entstehung von Bränden, die durch entflammbare Materialien verursacht werden. **FR ATTENTION:** Risque d'incendie ou de matières inflammables. Le symbole montre qu'il y'a le risque de matériaux inflammables sont utilisés. Prendre soin d'éviter de provoquer un incendie en ignorant des matières inflammables. **IT ATTENZIONE:** Rischio di incendio/materiale infiammabile. Il simbolo indica il rischio di incendio nel caso di utilizzo di materiali infiammabili. Fare attenzione ed evitare l'insorgere di incendi a causa della combustione di materiali infiammabili. **ES ADVERTENCIA:** Riesgo de incendio o material inflamable. El símbolo indica que existe riesgo de incendio, dado que se utilizan materiales inflamables. Se debe procurar evitar incendios mediante ante la combustión de materiales inflamables. **NL WAARSCHUWING:** Brandrisico / brandbaar materiaal. Het systeem geeft aan dat er een brandrisico bestaat aangezien brandbaar materiaal wordt gebruikt. Zorg ervoor dat er geen brand wordt veroorzaakt door brandbaar materiaal te ontsteken. **PL OSTRZEŻENIE:** Ryzyko pożaru/materiał łatwopalny. Symbol wskazuje, że istnieje ryzyko pożaru, ponieważ używane są materiały łatwopalne. Dbaj o to, aby uniknąć pożaru poprzez zapalenie łatwopalnego materiału. **RO AVERTISMENT:** Risc de incendiu/material inflamabil. Simbolul indică că există risc de incendiu deoarece sunt folosite materiale inflamabile. Aveți grijă și evitați incendiile aprinzând materiale inflamabile. **CZ VAROVÁNÍ:** Nebezpečí Požáru/Hořlavého Materiálu. Symbol označuje riziko požáru, protože byly použity hořlavé materiály. Dbejte na to, aby nedošlo ke vzniku požáru zapálením hořlavého materiálu. **HU FIGYELEM:** Tűz / gyúlékony anyag veszélye. A szimbólum azt jelzi, hogy tűzveszély áll fenn, mivel gyúlékony anyagokat használnak. Ügyeljen arra, hogy ne tegyen rá tűzveszélyes gyúlékony anyagot.

EL ΠΡΟΣΟΧΗ: Κίνδυνος φωτιάς/εύφλεκτο υλικό. Το σύμβολο υποδεικνύει ότι υπάρχει κίνδυνος φωτιάς επειδή χρησιμοποιούνται εύφλεκτα υλικά. Προσέχετε να αποφεύγετε την πρόκληση φωτιάς από ανάφλεξη εύφλεκτου υλικού. **RU ВНИМАНИЕ:** Опасность пожара / воспламеняющихся материалов. Символ указывает на опасность пожара, так как используются легковоспламеняющиеся материалы. Будьте осторожны, чтобы не вызвать возгорание, воспламеняя горючий материал. **BG ПРЕДУПРЕЖДЕНИЕ:** Опасност от пожар / запалим материал. Символът показва, че съществува риск от пожар, тъй като се използват запалими материали. Внимавайте да не причините пожар чрез запалване на запалим материал.

DIAGRAMS

FIG. 1

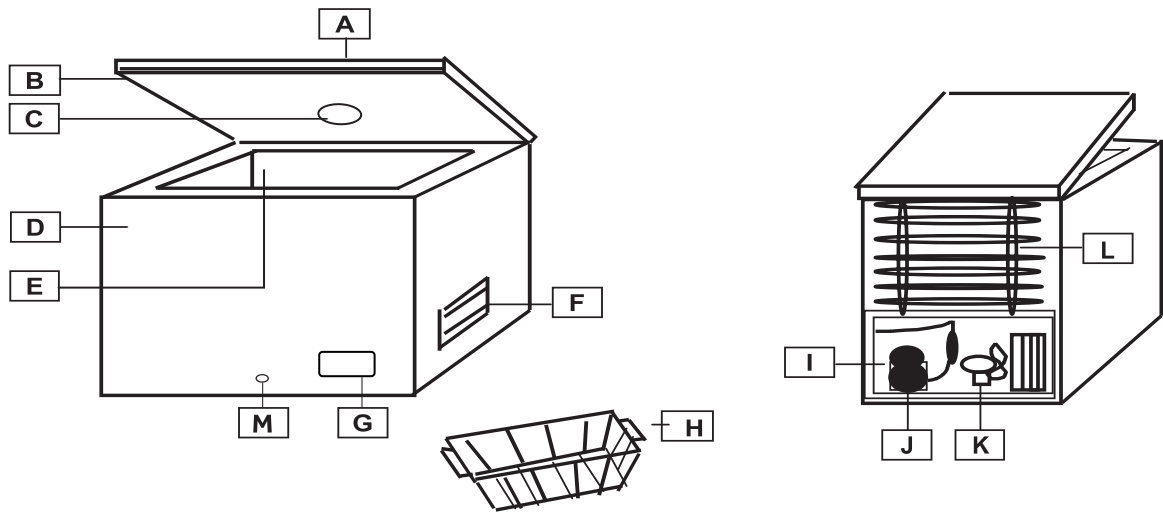


FIG. 2

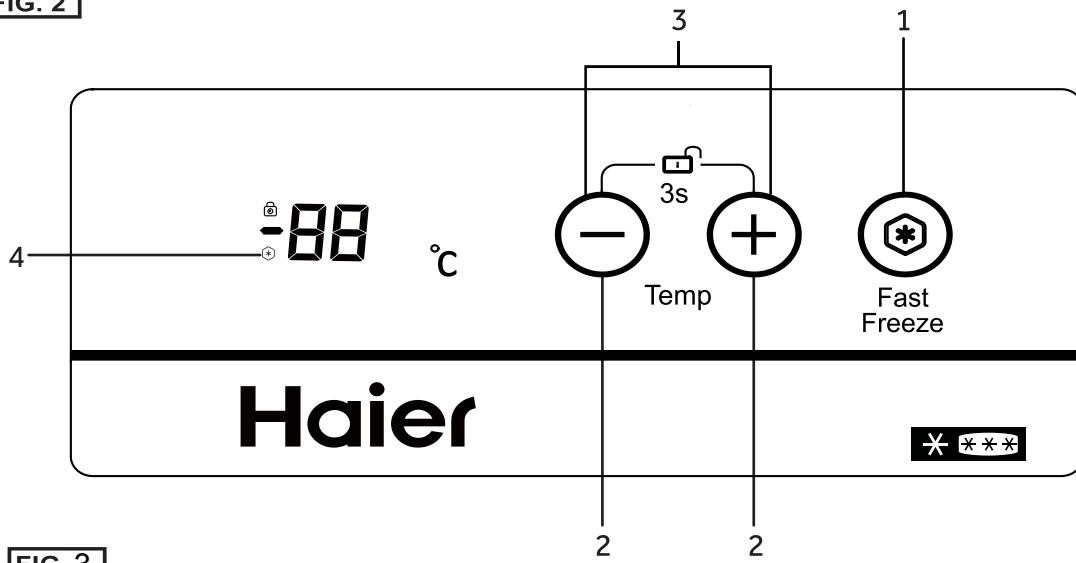
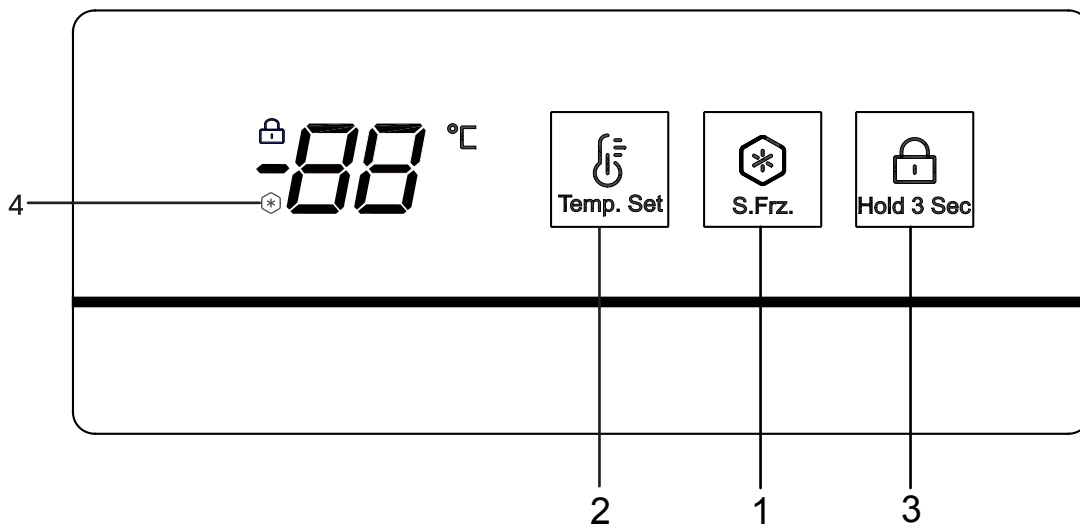



FIG. 3



PRECAUTIONS

- This appliance can be used by children aged from 8 years and above and persons with reduced physical, sensory or mental capabilities or lack of experience and knowledge if they have been given supervision or instruction concerning use of the appliance in a safe way and understand the hazards involved.
- Children shall not play with the appliance.
- Cleaning and user maintenance shall not be made by children without supervision.
- The appliance must be positioned so that the plug is accessible.
- If the supply cord is damaged, it must be replaced by the manufacturer, its service agent or similarly qualified persons in order to avoid a hazard.
- **WARNING:** Keep ventilation openings, in the appliance enclosure or in the built-in structure, clear of obstruction.
- **WARNING:** Do not use mechanical devices or other means to accelerate the defrosting process, other than those recommended by the manufacturer.
- **WARNING:** Do not damage the refrigerant circuit.
- **WARNING:** Do not use electrical appliances inside the food storage compartments of the appliance, unless they are of the type recommended by the manufacturer.
- Please contact to the service agent to dispose the appliance because the flammable blowing gas was used.
- If the illuminating lamps is damaged, it must be replaced by the manufacturer, its service agent or similarly qualified persons in order to avoid a hazard.
- Do not store explosive substances such as aerosol cans with a flammable propellant in this appliance.
- Chest freezer suitable for use in unheated rooms and out building no less than -12°C.
- Since the flammable refrigerants are used, please installed, handle, and service the appliance strictly according to the instruction and contact the professional agent or our after-sale service to dispose of the appliance.
- A switch is built into appliances equipped with lighting. When the appliance is opened the light goes on automatically and switches off automatically when closed.(not provided in all models)
- Regulation require the appliance to be earthed.
- The  symbol on the product or on its packaging indicates that this product may not be treated as household waste. Instead it shall be handed over to the applicable collection point for the recycling of electrical and electronic equipment. By ensuring this product is disposed of correctly, you will help prevent potential negative consequences for the environment and human health, which could otherwise be caused by inappropriate waste handling of this product. For more detailed information about recycling of this product, please contact your local city office, your household waste disposal service or the shop where you purchased the product.
- **WARNING:** When positioning the appliance, ensure the supply cord is not trapped or damaged.
- **WARNING:** Do not locate multiple portable socket-outlets or portable power supplies at the rear of the appliance.
- Children aged from 3 to 8 years are allowed to load and unload refrigerating appliances.
- This appliance is intended to be used in household and similar applications such as:
 - staff kitchen areas in shops, offices and other working environments;
 - farm houses and by clients in hotels, motels and other residential type environments;
 - bed and breakfast type environments;
 - catering and similar non-retail applications.
- To avoid contamination of food, please respect the following instructions:
 - Opening the door for long periods can cause a significant increase of the temperature in the compartments of the appliance.
 - Clean regularly surfaces that can come in contact with food and accessible drainage systems.
 - Store raw meat and fish in suitable containers in the freezer, so that it is not in contact with or drip onto other food.
 - If the refrigerating appliance is left empty for long periods, switch off, defrost, clean, dry, and leave the door open to prevent mould developing within the appliance.
- To ensure the safe preservation of foodstuffs, instant food and raw meat/ fish shall be stored separately.
- This refrigerating appliance is not intended to be used as a built-in appliance.

DIAGRAMS

FIG1.

- A Lid
- B Gasket
- C Interior light (if available)
- D Cabinet
- E Storage compartment
- F Ventilation grille
- G Control panel
- H Basket
- I Compressor chamber
- J Compressor
- K Fan (if available)
- L Back condenser (if available)
- M Defrost water drain plug

BEFORE USE

- This appliance is intended strictly for household use, for storing food only.
- If the appliance unpacked is damaged please contact your dealer.
- The mains electricity supply must conform to the rating plate of the appliance.

INSTALLATION

- Fully unpack the appliance. Please ensure that all packaging materials are removed and properly disposed prior to installation and kept out of children's reach.
- The appliance should be installed in a dry, well ventilated room, and not exposed to direct sunlight and not placed near a heat source.
- Leave at least 10cm between the appliance and surrounding for ventilation and heat dissipation.
- The electricity supply must conform to as specified on the rating plate and follow local regulations.
- It is recommended to wait at least two hours before plugging the appliance after installation. This helps the refrigerant circuit to stabilise.
- Install the appliance at a location where the ambient temperature corresponds to the climate class indicated on the rating plate of the appliance:

Climatic class	Ambient temperature
SN	+10 °C to 32 °C
N	+16 °C to 32 °C
ST	+16 °C to 38 °C
T	+16 °C to 43 °C

START-UP

1. Insert the plug in the socket. All indicators light up and switch off. And then temperature is displayed.
2. Allow one hour for the temperature inside the appliance to go down and then place food inside the appliance

TEMPERATURE SETTING

Press (2) to adjust temperature.
It's suggested to set the temperature at -18°C

FUNCTION SETTING (if available)

Press (1) till (4) light up to activate Super Freeze function.

The Fast freeze function will be switched off automatically after 56 hours to save energy. Energy consumption will increase when this function is on. During the Fast freeze function, temperature in the freezer will be -26°C

Press (3) for 3 seconds to lock/unlock the control panel.

FREEZING FOOD

- Wrap or seal food in aluminium foil, air tight containers or food storage bags prior to freezing.
- Allow hot food to cool prior to placing it in the appliance.
- Smaller portion of food will be faster frozen. The recommended max portion weight is 2.5kg.
- Avoid placing warm food directly in contact with already frozen food. Frozen food could defrost and may not outlast the foreseen storage time.
- The capacity of the appliance, as shown on the rating plate, should not be exceeded.
- When filling the appliance with higher quantities of fresh food, it is recommended to turn on the Super Freeze function (if available) 24 hours in advance.
- The storage time for purchased deep-frozen products varies and depends on the type of product and its packaging. Therefore, strictly observe the producer/manufactures instructions on the packaging.

CLEANING AND MAINTENANCE

- Always ensure that the power supply is switched off prior to conducting any maintenance or cleaning of the appliance.
- If you leave your appliance out of use for an extended period, leave it open to prevent odour and unpleasant smells building up inside.
- To ensure the safe preservation of foodstuffs, please comply with this instruction to use and clean the freezer regularly. The detail is as below part.

- Clean the inside of your freezer at least once a year. Use warm water and baking soda solution-about a tablespoon of baking soda to litre/quart of water. Rinse thoroughly with water and wipe dry.Do not use cleaning powders or other abrasive cleaners. Do not wash removable parts in a dishwasher.
- Do not use harsh chemicals,abrasives,ammonia, chlorine bleach,concentrated detergents,solvents or metal scouring pads.Some of these chemicals may dissolve,damage and/or discolour your freezer.
- Never use metallic scouring pads,brushes,abrasive cleaners,or alkaline solutions on any surface.
- Clean door gasket every three months according to inside clean instruction.Gaskets must be kept clean and pliable to assure a proper seal.For positons, such as seams,solts,holes,and so on,the simple tools may be used to clean,such as soft brushes.If needed, detachable shelves,trays,drawers and similar accessories can be cleaned through removed from the appliance and washed in the basin.

DEFROSTING

The appliance should be defrosted once the thickness of ice on the walls reaches 5-6 mm.

Do not use any electrical, sharp or mechanical objects to assist in defrosting the ice removal process, unless supplied or approved by manufacturer or approved service centre.

To remove ice from the inner walls, use a plastic or wood scraper without sharp edges. Never use a metal scraper.

Proceed as follows:

1. Make sure to unplug the appliance.
2. Dry your hands thoroughly to prevent skin damage by contact with ice (it is advised to use gloves).
3. Remove all frozen food from the appliance, put it into a container, cool box, put the frozen cool blocks on top of the frozen food to help keep it very cold, and place the container or cool box in a cool, dry room.
4. Pull out the water drain plug (if available) located at the bottom of the appliance. Otherwise you must wipe up the melt water at the bottom of the appliance compartment with a sponge or towel.
5. Scrape the ice carefully from the inner of appliance and put it in to your kitchen sink, for defrosting.
6. Thoroughly clean the inside of the appliance compartment, rinse it with warm water and remove any spilt food or liquids.
7. Wipe the appliance with an absorbent cloth or sponge thoroughly dry and allow to air for about 3 to 4 minutes.
8. Replace the drain-plug (if available).
9. Close the appliance door, replace the plug in the socket and turn the appliance on.
10. Now re-fill the frozen food.

To prevent frozen food from defrosting, carry out the defrosting procedure within a maximum of two hours to reduce significant rise in temperature of the frozen food that would shorten the storage life.

TROUBLESHOOTING

1. Door difficult to open?

After closing the door it may be difficult to open it again for a few minutes. This is normal and means that door seal is working correctly. Just wait few minutes and you will be able to open the door easily.

2. No operation (appliance not running/getting cold)

- Is there a power failure?
- Is the plug in good condition and properly plugged into the socket?

3. Appliance not working sufficiently/'HH' is on

- Is the lid of the appliance closed properly?
- Is there heavy ice formation on the inner walls?
- Is the appliance exposed to direct sunlight or heat source?
- Have too much warm foods been put in the appliance?
- The climatic class can be found on the rating label in the back of the appliance. It specifies the ambient temperatures at which the appliance will operate correctly.

Climatic class	Ambient temperature
SN	+10 °C to 32 °C
N	+16 °C to 32 °C
ST	+16 °C to 38 °C
T	+16 °C to 43 °C

4. The appliance makes noise.

This noise is produced when the motor in the compressor operates and also by refrigerant flowing in the cooling system circuit. These noises are normal.

5. Condensation build up on external walls

Under certain atmospheric conditions, condensation can form on external walls of the appliance. This is normal and won't affect the function of the appliance.

AFTER-SALE SERVICE

1. Resolving faults by yourself

If you suspect any fault, before contacting the approved after-sales service directly or via your dealer, make sure you have observed all instructions and advice in this user manual.

2. After-sales service

Consult the enclosed warranty card for available after-sales services.

In order to receive immediate help, make sure you have ready the following essential data to identify your appliance:

- ✓ Brand of appliance
- ✓ Model
- ✓ Serial number
- ✓ The problem or reason
- ✓ Date of purchase
- ✓ Purchased from/supplier

To contact the technical assistance, visit our website: <https://corporate.haier-europe.com/en/>

Under the section “website”, choose the brand of your product and your country. You will be redirected to the specific website where you can find the telephone number and form to contact the technical assistance

AVAILABILITY OF SPARE PARTS

Thermostats, temperature sensors, printed circuit boards and light sources are available for a minimum period of seven years after placing the last unit of the model on the market.

Door handles, door hinges, trays and baskets for a minimum period of seven years and door gaskets for a minimum period of 10 year, after placing the last unit of the model on the market.

GUARANTEE

Minimum guarantee is: 2 years for EU Countries, 3 years for Turkey, 1 year for UK, 1 year for Russia, 3 years for Sweden, 2 years for Serbia, 5 years for Norway, 1 year for Morocco, 6 months for Algeria, Tunisia no legal warranty required.

PRECAUTIONS

- If your cabinet is to be discarded, you must remove the door and leave the shelves in place. This will reduce the possibility of danger to children. And the flammable foaming needs to be disposed by professional persons.

ENERGY SAVING TIPS

- After the appliance has been in operation for some time, a layer of frost or ice will form on the inside walls. This increases energy consumption. In order to save energy and maintain best performance, please, defrost the freezer regularly. Refer to User's instruction chapter “Defrosting”.

DECLARATION OF CONFORMITY

The manufacturer of the product/s described herein, to which this description refers, declares on its sole responsibility that the product/s meet the relevant fundamental safety, health and protection requirements of the relevant UK and EU requirements and that the corresponding test reports are available for examination by the relevant authorities and can be requested from the seller of the appliance, especially with regard to CE Declaration of Conformity issued by the manufacturer or with the manufacturer's approval.

Moreover, the manufacturer declares that the parts of the appliance described in this user manual, which come into contact with fresh food, do not contain any toxic substances.

The manufacturer works constantly at the further development of all products. Please therefore bear this in mind as the form, set up and technology are subject to change, without prior notice.

For further information about the product, please consult <https://eprel.ec.europa.eu/> or scan the QR on the energy label supplied with the appliance

PRECAUZIONI

- Questo elettrodomestico può essere utilizzato da bambini di età superiore a 8 anni e da persone con ridotte capacità fisiche, sensoriali o mentali, oppure prive di esperienza e conoscenza, se supervisionati o istruiti riguardo all'uso dell'elettrodomestico in sicurezza, e se comprendono i rischi che derivano dall'uso dello stesso.
- I bambini non devono giocare con l'elettrodomestico.
- La pulizia e la manutenzione da parte dell'utente non possono essere effettuate da bambini senza supervisione.
- L'elettrodomestico deve essere posizionato in modo che la spina sia accessibile.
- Se il cavo di alimentazione dell'elettrodomestico dovesse essere danneggiato, farlo sostituire dal produttore, dal suo servizio tecnico o da un tecnico qualificato, per evitare rischi.
- **AVVERTENZA:** Mantenere le aperture di ventilazione nel luogo in cui si trova l'elettrodomestico o nella struttura nella quale è incassato libere da qualsiasi ostruzione.
- **AVVERTENZA:** Non usare dispositivi meccanici o altri strumenti artificiali per accelerare il processo di sbrinamento, diversi da quelli consigliati dal produttore.
- **AVVERTENZA:** Non danneggiare il circuito del refrigerante.
- **AVVERTENZA:** Non usare apparecchi elettrici all'interno degli scomparti per la conservazione degli alimenti dell'elettrodomestico, se questi non sono del tipo consigliato dal produttore.
- Contattare l'agente del servizio post-vendita per smaltire l'elettrodomestico poiché vengono utilizzati gas ad espansione infiammabili per l'isolamento.
- Se le lampade di illuminazione sono danneggiate, farle sostituire dal produttore, dal suo servizio tecnico o da un tecnico qualificato, per evitare rischi.
- Non conservare in questo elettrodomestico sostanze esplosive come le bombolette aerosol con un propellente infiammabile.
- Congelatore orizzontale adatto per l'uso in ambienti non riscaldati e fuori edificio a non meno di -12°C.
- Poiché vengono utilizzati refrigeranti infiammabili, installare, maneggiare e riparare l'elettrodomestico rigorosamente secondo le istruzioni e contattare l'agente professionale o il nostro servizio post-vendita per smaltirlo.
- Un interruttore è incorporato negli elettrodomestici dotati di illuminazione. Quando l'elettrodomestico viene aperto la luce si accende automaticamente e si spegne automaticamente alla chiusura (non previsto in tutti i modelli).
- La normativa prevede che l'elettrodomestico sia messo a terra.
- Il simbolo  sul prodotto o sul relativo imballaggio indica che questo prodotto non può essere trattato come rifiuto domestico. Deve invece essere consegnato ad un punto di raccolta appropriato per il riciclo di dispositivi elettrici ed elettronici. Assicurandovi che questo prodotto sia smaltito correttamente, contribuirete a prevenire potenziali conseguenze negative per l'ambiente e la salute umana, che potrebbero essere causate da una gestione inappropriata dei rifiuti di questo prodotto. Per informazioni più dettagliate relative al riciclaggio di questo prodotto, si consiglia di contattare il proprio ufficio comunale, il proprio servizio di smaltimento rifiuti domestici o l'esercente presso il quale è stato acquistato il prodotto.
- **AVVERTENZA:** Durante il posizionamento dell'elettrodomestico, accertarsi che il cavo di alimentazione non resti impigliato o sia danneggiato.
- **AVVERTENZA:** Non posizionare prese portatili multiple o alimentazioni di potenza portatili nella parte posteriore dell'elettrodomestico.
- I bambini dai 3 agli 8 anni possono riempire e svuotare gli elettrodomestici.
- Questo elettrodomestico è destinato ad essere utilizzato in applicazioni domestiche e simili, come ad esempio:
 - in cucine per il personale in negozi, uffici e altri ambienti di lavoro;
 - in agriturismi e dai clienti negli alberghi, nei motel e in altri ambienti di tipo residenziale;
 - in ambienti di tipo bed and breakfast;
 - in servizi di catering e applicazioni simili non per la vendita al dettaglio.
- Per evitare la contaminazione degli alimenti, si prega di rispettare le seguenti istruzioni:
 - L'apertura prolungata della porta può causare un significativo aumento della temperatura nei vani dell'elettrodomestico.
 - Pulire regolarmente le superfici che possono venire a contatto con gli alimenti e i sistemi di scarico accessibili.
 - Conservare la carne cruda e il pesce in contenitori adatti nel congelatore, in modo che non venga a contatto o non goccioli su altri alimenti.
 - Se il congelatore viene lasciato vuoto per lunghi periodi di tempo, spegnere, sbrinare, pulire, asciugare e lasciare la porta aperta per evitare che si formi muffa all'interno.
- Per garantire la conservazione sicura degli alimenti, gli alimenti istantanei e la carne/il pesce crudo devono essere conservati separatamente.
- Apparecchio di refrigerazione non destinato ad essere utilizzato come apparecchio da incasso.

SCHEMI

FIG. 1.

- A Coperchio
- B Guarnizione
- C Luce interna (Se disponibile)
- D Armadietto
- E Vano ripostiglio
- F Griglia di ventilazione
- G Pannello comandi
- H Cestello
- I Camera del compressore
- J Compressore
- K Ventola (se disponibile)
- L Condensatore posteriore (se disponibile)
- M Tappo di scarico dell'acqua di sbrinamento

PRIMA DELL'USO

- Questo elettrodomestico è destinato esclusivamente all'uso domestico, per la conservazione di alimenti.
- Se, una volta disimballato, l'elettrodomestico è danneggiato, contattare il proprio rivenditore.
- L'alimentazione elettrica di rete deve essere conforme alla targhetta dell'elettrodomestico.

INSTALLAZIONE

- Disimballare completamente l'elettrodomestico. Si prega di assicurarsi che tutti i materiali di imballaggio siano rimossi e smaltiti correttamente prima dell'installazione e tenuti fuori dalla portata dei bambini.
- L'elettrodomestico deve essere installato in un ambiente asciutto, ben ventilato, non esposto alla luce diretta del sole e lontano da fonti di calore.
- Lasciare almeno 10 cm tra l'elettrodomestico e l'ambiente circostante per la ventilazione e la dissipazione del calore.
- L'alimentazione elettrica deve essere conforme a quanto specificato sulla targhetta; rispettare le normative locali.
- Si raccomanda di attendere almeno due ore prima di collegare l'elettrodomestico dopo l'installazione. Questo facilita la stabilizzazione del circuito del refrigerante.

Installare il frigorifero in un luogo in cui la temperatura ambientale corrisponda alla classe climatica indicata nell'etichetta dell'apparecchio:

Classe climatica	Temperatura ambiente
SN	da 10 °C a 32 °C
N	da 16 °C a 32 °C
ST	da 16 °C a 38 °C
T	da 16 °C a 43 °C

AVVIAMENTO

1. Inserire la spina nella presa. Tutti gli indicatori si accendono e si spengono. Quindi viene visualizzata la temperatura.
2. Lasciare trascorrere un'ora per far scendere la temperatura all'interno dell'elettrodomestico e poi collocare il cibo all'interno dell'elettrodomestico stesso.

IMPOSTAZIONI TEMPERATURA

Premere (2) per regolare la temperatura.

Si consiglia di impostare la temperatura a -18°C.

IMPOSTAZIONE DELLE FUNZIONI (se disponibile)

Premere (1) fino all'accensione di (4) per attivare la funzione Super Freeze.

La funzione Fast freeze verrà disattivata automaticamente dopo 56 ore per risparmiare energia. Il consumo di energia aumenterà quando questa funzione è attiva. Durante la funzione Fast Freeze, la temperatura nel congelatore sarà di -26 ° C.

Premere (3) per 3 secondi per bloccare/sbloccare il pannello comandi.

SURGELAMENTO DEGLI ALIMENTI

- Avvolgere o sigillare gli alimenti in fogli di alluminio, contenitori o sacchetti a tenuta d'aria di conservazione degli alimenti prima del congelamento.
- Lasciare raffreddare gli alimenti caldi prima di inserirli nell'elettrodomestico.
- Una porzione più piccola di alimenti sarà più veloce da surgelare. Il peso massimo consigliato della porzione è di 2,5 kg.
- Evitare di mettere alimenti caldi a diretto contatto con alimenti già surgelati. Gli alimenti congelati possono scongelarsi e potrebbero non durare più a lungo del tempo di conservazione previsto.
- La capacità dell'elettrodomestico, come indicato sulla targhetta, non deve essere superata.
- Quando si riempie l'elettrodomestico con quantità più elevate di alimenti freschi, si consiglia di accendere la funzione Super Freeze (se disponibile) 24 ore prima.
- Il tempo di conservazione per i prodotti surgelati acquistati varia e dipende dal tipo di prodotto e dal relativo imballaggio. Pertanto, osservare scrupolosamente le istruzioni del produttore sulla confezione.

PULIZIA E MANUTENZIONE

- Assicurarsi sempre che l'alimentazione elettrica sia disinserita prima di effettuare qualsiasi manutenzione o pulizia dell'elettrodomestico.
- Se lasciate il vostro elettrodomestico inutilizzato per un periodo prolungato, lasciatelo aperto per evitare che all'interno si formino odori sgradevoli.
- Per garantire la conservazione dei prodotti alimentari, si prega di rispettare le presenti istruzioni per l'uso e di pulire il congelatore regolarmente. I dettagli sono riportati qui di seguito.



- Pulire l'interno del vostro congelatore almeno una volta all'anno. Utilizzare acqua calda e una soluzione di bicarbonato di sodio - circa un cucchiaino di bicarbonato di sodio per litro di acqua. Risciacquare accuratamente con acqua e asciugare. Non utilizzare polveri detergenti o altri detergenti abrasivi. Non lavare in lavastoviglie i componenti rimovibili.
- Non utilizzare prodotti chimici aggressivi, abrasivi, ammoniaci, candeggina al cloro, detergenti concentrati, solventi o pagliette abrasive metalliche. Alcune di queste sostanze chimiche possono dissolversi, danneggiare e/o scolorire il congelatore.
- Non utilizzare mai pagliette abrasive metalliche, spazzole, soluzioni abrasive, detergenti o alcaline su qualsiasi superficie.
- Pulire la guarnizione della porta ogni tre mesi secondo le istruzioni di pulizia interna. Le guarnizioni devono essere tenute pulite e flessibili per garantire una tenuta adeguata. Per posizioni quali saldature, fessure, fori e così via, si possono usare i semplici strumenti per pulire, come le spazzole morbide. Se necessario, ripiani, vassoi, cassette e accessori simili staccabili possono essere rimossi dall'elettrodomestico e lavati nel lavandino.

SBRINAMENTO

L'elettrodomestico deve essere sbrinato quando lo spessore del ghiaccio sulle pareti raggiunge i 5-6 mm. Non utilizzare alcun oggetto elettrico, affilato o meccanico per facilitare lo sbrinamento durante il processo di rimozione del ghiaccio, a meno che non sia fornito o approvato dal produttore o da un centro di assistenza autorizzato.

Per togliere il ghiaccio dalle pareti interne, utilizzare un raschietto di plastica o di legno senza spigoli vivi. Non utilizzare mai un raschietto metallico.

Procedere come segue:

1. Assicurarsi di scollegare l'elettrodomestico.
2. Asciugare bene le mani per evitare danni alla pelle dovuti al contatto con il ghiaccio (si consiglia di usare i guanti).
3. Togliere tutti gli alimenti surgelati dall'elettrodomestico, metterli in un contenitore, o scatola frigorifera, mettere i blocchi freddi surgelati sopra gli alimenti surgelati per aiutarli a mantenerli molto freddi, e collocare il contenitore o la scatola frigorifera in un ambiente fresco e asciutto.
4. Estrarre il tappo di scarico dell'acqua (se disponibile) situato sul fondo dell'elettrodomestico. In caso contrario è necessario pulire l'acqua sciolta sul fondo del vano dell'elettrodomestico con una spugna o un asciugamano.
5. Raschiare con cura il ghiaccio dall'interno dell'elettrodomestico e metterlo nel lavello della cucina, per scioglierlo.
6. Pulire accuratamente l'interno dello scomparto dell'elettrodomestico, sciacquarlo con acqua tiepida e rimuovere gli alimenti o i liquidi versati.

7. Asciugare accuratamente l'elettrodomestico con un panno assorbente o una spugna e lasciarlo all'aria per circa 3 o 4 minuti.
8. Sostituire il tappo di scarico (se disponibile).
9. Chiudere la porta dell'elettrodomestico, rimettere la spina nella presa e accendere l'elettrodomestico.
10. A questo punto, introdurre nuovamente gli alimenti surgelati.

Per evitare che gli alimenti surgelati si scongelino, eseguire la procedura di scongelamento entro un massimo di due ore per ridurre il significativo aumento di temperatura degli alimenti surgelati che ne ridurrebbe la durata di conservazione.

QUALCOSA NON FUNZIONA

1. **Difficoltà di apertura della porta?**
Dopo aver chiuso la porta può essere difficile aprirla di nuovo per qualche minuto. Questa situazione è normale e significa che la guarnizione della porta funziona correttamente. Aspettate qualche minuto e si potrà aprire la porta facilmente.
2. **Mancato funzionamento (elettrodomestico non in funzione / non si raffredda)**
 - C'è un'interruzione di corrente?
 - La spina è in buone condizioni e correttamente inserita nella presa?
3. **L'elettrodomestico non funziona abbastanza/ "HH" è acceso**
 - Il coperchio dell'elettrodomestico è chiuso correttamente?
 - C'è uno spesso strato di ghiaccio sulle pareti interne?
 - L'elettrodomestico è esposto alla luce diretta del sole o a una fonte di calore?
 - Sono stati introdotti troppi alimenti caldi nell'elettrodomestico?
 - La classe climatica si trova sulla targhetta di classificazione nella parte posteriore dell'elettrodomestico. Specifica le temperature ambiente alle quali l'elettrodomestico funzionerà correttamente.

Classe climatica	Temperatura ambiente
SN	da +10°C a 32°C
N	da +16°C a 32°C
ST	da +16°C a 38°C
T	da +16°C a 43°C

4. **L'elettrodomestico fa rumore.**
Questo rumore viene prodotto quando il motore del compressore funziona e anche dal flusso di refrigerante nel circuito del sistema di raffreddamento. Questi rumori sono normali.
5. **La condensa si accumula sulle pareti esterne**
In determinate condizioni atmosferiche, la condensa può formarsi sulle pareti esterne dell'elettrodomestico. Questa situazione è normale e non influisce sul funzionamento dell'elettrodomestico.

SERVIZIO POST- VENDITA

1. Risolvere i difetti da soli

Se si sospetta un qualsiasi difetto, prima di contattare il servizio post-vendita autorizzato direttamente o tramite il proprio rivenditore, assicurarsi di aver osservato tutte le istruzioni e i consigli contenuti in questo manuale utente.

2. Servizio post-vendita

Consultare la scheda di garanzia allegata per i servizi post-vendita disponibili.

Per ricevere un aiuto immediato, assicuratevi di avere pronti i seguenti dati essenziali per identificare il vostro elettrodomestico:

- ✓ Marca dell'elettrodomestico
- ✓ Modello
- ✓ Numero di serie
- ✓ Problema o motivo
- ✓ Data di acquisto
- ✓ Acquistato da/fornitore

Per contattare l'assistenza tecnica, visitare il nostro sito Web: <https://corporate.haier-europe.com/en/> . Nella sezione "websites", scegli la marca del tuo prodotto e il tuo paese. Verrai reindirizzato al sito specifico dove potrai trovare il numero di telefono e il modulo per contattare l'assistenza tecnica.

GARANZIA

La garanzia minima è: 2 anni per i Paesi UE, 3 anni per la Turchia, 1 anno per il Regno Unito, 1 anno per la Russia, 3 anni per la Svezia, 2 anni per la Serbia, 5 anni per la Norvegia, 1 anno per il Marocco, 6 mesi per l'Algeria, la Tunisia nessuna garanzia legale richiesta.

DISPONIBILITÀ DEI RICAMBI

Termostati, sensori di temperatura, schede a circuiti stampati e sorgenti luminose sono disponibili per un periodo minimo di sette anni dall'immissione sul mercato dell'ultima unità del modello; maniglie e cerniere delle porte, vassoi e cesti sono disponibili per un periodo minimo di sette anni e guarnizioni delle porte per un periodo minimo di dieci anni dall'immissione sul mercato dell'ultima unità del modello;

PRECAUZIONI

- Se il vostro armadietto deve essere scartato, è necessario rimuovere la porta e lasciare i ripiani in posizione. Questo ridurrà la possibilità di pericolo per i bambini. E l'isolante in schiuma infiammabile deve essere smaltito da professionisti.

SUGGERIMENTI PER IL RISPARMIO ENERGETICO

- Dopo che l'elettrodomestico è stato messo in funzione per un certo tempo, sulle pareti interne si formerà uno strato di brina o di ghiaccio. Questo aumenta il consumo di energia. Per risparmiare energia e mantenere le migliori prestazioni, si prega di scongelare il congelatore regolarmente. Fare riferimento al capitolo delle istruzioni per l'utente "Sbrinamento".

DICHIARAZIONE DI CONFORMITÀ


Il produttore del prodotto/dei prodotti qui descritti, ai quali si riferisce la presente descrizione, dichiara sotto la sua esclusiva responsabilità che il prodotto/i prodotti soddisfano i requisiti fondamentali di sicurezza, salute e protezione del Regno Unito e dell'UE in materia e che i relativi rapporti di prova sono disponibili per l'esame da parte delle autorità competenti e possono essere richiesti al venditore dell'elettrodomestico, in particolare per quanto riguarda la dichiarazione CE di Conformità rilasciata dal produttore o con l'approvazione del produttore.

Inoltre, il produttore dichiara che le parti dell'elettrodomestico descritte in questo manuale utente, che vengono a contatto con alimenti freschi, non contengono sostanze tossiche.

Il produttore lavora costantemente all'ulteriore sviluppo di tutti i prodotti. Si consiglia pertanto di tenerlo presente in quanto la forma, l'allestimento e la tecnologia sono soggetti a modifiche, senza preavviso.

Per ulteriori informazioni sul prodotto, consultare <https://eprel.ec.europa.eu/> o eseguire la scansione del QR sull'etichetta energetica fornita con l'apparecchio.

PRECAUCIONES

- Este aparato pueden utilizarlo niños/as a partir de 8 años de edad y personas con facultades físicas, sensoriales o mentales reducidas, o con falta de experiencia y conocimiento, si lo emplean bajo supervisión o se les instruye acerca de los aspectos de seguridad del producto y entienden los riesgos que comporta.
- Los niños no deben jugar con el electrodoméstico.
- Los niños no deben limpiar ni mantener el producto sin supervisión.
- El aparato debe estar colocado de forma que el enchufe quede accesible.
- Para evitar riesgos, el fabricante, su representante de servicio o cualquier otra persona cualificada deben cambiar los cables de alimentación que estén dañados.
- **ADVERTENCIA:** Mantenga despejadas las ranuras de ventilación de la carcasa del electrodoméstico o de la estructura integrada.
- **ADVERTENCIA:** No utilice aparatos mecánicos ni otros medios para acelerar el proceso de descongelación y siga las recomendaciones del fabricante.
- **ADVERTENCIA:** No dañe el circuito de refrigerante.
- **ADVERTENCIA:** No utilice aparatos eléctricos dentro de los compartimentos para la conservación de alimentos del electrodoméstico, a menos que sean del tipo que recomienda el fabricante.
- Por favor, póngase en contacto con el agente de servicio para deshacerse del aparato porque se utilizó el gas de soplado inflamable.
- Para evitar riesgos, el fabricante, su representante de servicio o cualquier otra persona cualificada deben cambiar las luces que estén dañadas.
- No almacene en este electrodoméstico sustancias explosivas como latas de aerosol con un propelente inflamable.
- Arcón congelador adecuado para su uso en habitaciones sin calefacción y fuera del edificio a no menos de -12°C.
- Dado que se utilizan líquidos de refrigeración inflamables, manipule y realice el mantenimiento del electrodoméstico de acuerdo con las instrucciones y póngase en contacto con un profesional o con nuestro servicio de posventa para proceder a su retirada.
- Un interruptor está incorporado en los aparatos equipados con iluminación. Cuando se abre el electrodoméstico la luz se enciende automáticamente y se apaga automáticamente cuando se cierra (no se suministra en todos los modelos).
- Las normas exigen que el electrodoméstico esté conectado a tierra.
- La aparición del símbolo  en el producto o en su envase indica que no puede tratarse como residuo doméstico. Debe llevarse a un punto de recogida de residuos adecuado para reciclaje de aparatos eléctricos y electrónicos. Al asegurarse de desechar este electrodoméstico de forma correcta, estará contribuyendo a evitar las posibles consecuencias negativas para el medio ambiente y la salud humana que, de lo contrario, ocasionaría el tratamiento inadecuado de los residuos de este producto. Para obtener información detallada sobre el reciclaje de este producto, póngase en contacto con el servicio de recogida de basuras municipal o el establecimiento donde lo adquirió.
- **ADVERTENCIA:** Al colocar el electrodoméstico en su sitio, asegúrese de que el cable de alimentación no esté pinzado ni dañado.
- **ADVERTENCIA:** No coloque tomas de corriente múltiples portátiles o fuentes de alimentación portátiles en la parte posterior del electrodoméstico.
- Los niños de 3 a 8 años de edad solo pueden ayudar a cargar y descargar los productos del congelador.
- Este electrodoméstico está diseñado para su uso en el hogar y en aplicaciones parecidas, como:
 - zonas de cocina para empleados en negocios, oficinas y otros entornos laborales;
 - granjas y por clientes de hoteles, moteles y otros establecimientos de tipo residencial;
 - otros establecimientos de hospedaje;
 - cáterings y otras aplicaciones similares no minoristas.
- Para evitar la contaminación de los alimentos, siga las siguientes instrucciones:
 - Abrir la puerta durante un tiempo prolongado puede provocar un aumento significativo de la temperatura en los compartimentos del electrodoméstico.
 - Limpie regularmente las superficies que puedan entrar en contacto con alimentos y sistemas de vaciado accesibles.
 - Guarde la carne y el pescado crudos en recipientes adecuados en el congelador para evitar que entren en contacto con otros alimentos o goteen sobre ellos.
 - Para evitar la aparición de moho, el congelador se debe apagar, descongelar, limpiar y secar, además de dejar la puerta abierta, cuando vaya a permanecer vacío durante largos periodos de tiempo.
- Para garantizar la conservación segura de los alimentos, los alimentos instantáneos y la carne y el pescado crudos se guardarán por separado.
- Este aparato no está destinado a utilizarse como aparato encastrable.

ESQUEMAS

FIG. 1

- A Tapa
- B Junta
- C Luz interior (Si está disponible)
- D Armario
- E Compartimiento de almacenamiento
- F Rejilla de ventilación
- G Panel de control
- H Cesta
- I Cámara de compresor
- J Compresor
- K Ventilador (si está disponible)
- L Condensador trasero (si está disponible)
- M Tapón de drenaje de agua de descongelación

ANTES DEL USO

- Este aparato está destinado estrictamente para uso doméstico, para almacenar alimentos solamente.
- Si el aparato desembalado está dañado, póngase en contacto con su distribuidor.
- El suministro de electricidad de la red debe ajustarse a la placa de características del electrodoméstico.

INSTALACIÓN

- Desembalar completamente el aparato. Asegúrese de que todos los materiales de embalaje se retiren y se eliminen adecuadamente antes de la instalación y se mantengan fuera del alcance de los niños.
- El aparato debe instalarse en una habitación seca y bien ventilada, y no debe exponerse a la luz solar directa ni colocarse cerca de una fuente de calor.
- Deje al menos 10 cm entre el aparato y los alrededores para la ventilación y la disipación del calor.
- El suministro de electricidad debe ajustarse a lo especificado en la placa de características y seguir las normas locales.
- Se recomienda esperar al menos dos horas antes de enchufar el aparato después de la instalación. Esto ayuda a que el circuito de refrigerante se estabilice.

Instale el aparato en un lugar donde la temperatura ambiente corresponda a la clase climática indicada en la placa de características del aparato:

Energieklasse	Umgebungstemperatur
SN	t 10 °C bis 32 °C
N	t 16 °C bis 32 °C
ST	t 16 °C bis 38 °C
T	t 16 °C bis 43 °C

PUESTA EN MARCHA

1. Inserte el enchufe en la toma de corriente. Todos los indicadores se encienden y se apagan. Y luego se muestra la temperatura.
2. Deje pasar una hora para que la temperatura dentro del aparato baje y luego coloque los alimentos dentro del aparato

PROGRAMACIÓN DE LA TEMPERATURA

Presione (2) para ajustar la temperatura.

Se sugiere ajustar la temperatura a -18°C.

AJUSTE DE FUNCIONES (Si está disponible)

Presione (1) hasta que (4) se ilumine para activar la función de súper congelación.

La función Fast Freeze se apagará automáticamente después de 56 horas para ahorrar energía.

El consumo de energía aumentará cuando esta función esté activada. Durante la función Fast Freeze, la temperatura en el congelador será de -26 ° C

Presione (3) durante 3 segundos para bloquear/desbloquear el panel de control.

CONGELACIÓN DE ALIMENTOS

- Envuelva o selle los alimentos en papel de aluminio, contenedores herméticos o bolsas de almacenamiento de alimentos antes de congelarlos.
- La comida caliente debe enfriarse antes de introducirla en el electrodoméstico.
- Una porción más pequeña de comida se congelará más rápido. El peso máximo recomendado de la porción es de 2,5 kg.
- Evite poner alimentos calientes directamente en contacto con alimentos ya congelados. Los alimentos congelados podrían descongelarse y no durar más que el tiempo de almacenamiento previsto.
- La capacidad del aparato, tal como se indica en la placa de características, no debe excederse.
- Cuando se llene el aparato con mayores cantidades de alimentos frescos, se recomienda activar la función de súper congelación (si está disponible) con 24 horas de antelación.
- El tiempo de almacenamiento de los productos ultracongelados comprados varía y depende del tipo de producto y su embalaje. Por lo tanto, observe estrictamente las instrucciones del productor/fabricante en el envase.

LIMPIEZA Y MANTENIMIENTO

- Asegúrese siempre de que la fuente de alimentación esté desconectada antes de realizar cualquier tipo de mantenimiento o limpieza del aparato.
- Si pone el aparato fuera de uso por un periodo prolongado, déjelo abierto para evitar que se acumulen en su interior olores desagradables.
- Para garantizar una conservación segura de los alimentos, siga estas instrucciones de uso y limpie el congelador con regularidad. A continuación se dan los detalles.

- Limpie el interior del congelador al menos una vez al año. Use agua caliente y una solución de bicarbonato de sodio (alrededor de una cucharada de bicarbonato de sodio por un litro de agua). Enjuague bien con agua y seque. No utilice limpiadores en polvo u otros limpiadores abrasivos. No lave las partes desmontables en el lavavajillas.
- No utilice productos químicos fuertes, abrasivos, amoníaco, lejía de cloro, detergentes concentrados, disolventes o estropajos metálicos. Algunos de estos productos químicos pueden disolverse, dañar y/o decolorar el congelador.
- Nunca utilice estropajos metálicos, cepillos, soluciones abrasivas, limpiadoras o alcalinas en ninguna superficie.
- Limpie la junta de la puerta cada tres meses de acuerdo con las instrucciones de limpieza del interior. Las juntas deben mantenerse limpias y flexibles para asegurar un sellado adecuado. Para puntos como juntas, ranuras, orificios, etc., se pueden utilizar simples utensilios de limpieza como cepillos suaves. Si es necesario, los estantes, bandejas, cajones y accesorios similares desmontables se pueden retirar del electrodoméstico y lavar en el fregadero.

DESCONGELACIÓN

El aparato debe ser descongelado una vez que el grosor del hielo en las paredes alcance los 5-6 mm.

No utilice ningún objeto eléctrico, afilado o mecánico para ayudar el proceso de eliminación del hielo, a menos que sea suministrado o aprobado por el fabricante o el centro de servicio autorizado.

Para quitar el hielo de las paredes internas, use un raspador de plástico o madera sin bordes afilados. Nunca use un raspador de metal.

Proceda de la siguiente manera:

1. Asegúrese de desenchufar el aparato.
2. Séquese bien las manos para evitar daños en la piel por contacto con el hielo (se aconseja usar guantes).
3. Retire todos los alimentos congelados del aparato, colóquelos en un contenedor, caja de frío, ponga los bloques de hielo congelados encima de los alimentos congelados para ayudar a mantenerlos muy fríos, y coloque el contenedor o caja de frío en una habitación fresca y seca.
4. Saque el tapón de vaciado de agua (si está disponible) situado en la parte inferior del aparato. De lo contrario, debe limpiar el agua derretida en el fondo del compartimento del aparato con una esponja o una toalla.
5. Raspe el hielo con cuidado del interior del aparato y póngalo en el fregadero de su cocina, para descongelarlo.
6. Limpie a fondo el interior del compartimento del electrodoméstico, enjuague con agua tibia y retire cualquier alimento o líquido derramado.
7. Limpie el aparato con un paño absorbente o una esponja para secarlo bien y deje que se ventile durante unos 3 ó 4 minutos.
8. Reemplazar el tapón de vaciado (si está disponible).
9. Cierre la puerta del aparato, vuelva a colocar el enchufe en la toma y encienda el aparato.
10. Ahora rellene la comida congelada.

Para evitar que los alimentos congelados se descongelen, lleve a cabo el procedimiento de descongelación en un máximo de dos horas para reducir el aumento significativo de la temperatura de los alimentos congelados que acortaría la vida de almacenamiento.

RESOLUCIÓN DE PROBLEMAS

1. **¿La puerta se abre con dificultad?**
Después de cerrar la puerta puede ser difícil abrirla de nuevo por unos minutos. Esto es normal y significa que la junta de la puerta funciona correctamente. Sólo espera unos minutos y podrás abrir la puerta fácilmente.
2. **No funciona (el aparato no funciona/no se enfría)**
 - ¿Hay un fallo de energía?
 - ¿El enchufe está en buen estado y correctamente conectado a la toma?
3. **El aparato que no funciona suficientemente/ "HH" está encendido**
 - ¿La tapa del aparato está bien cerrada?
 - ¿Hay una fuerte formación de hielo en las paredes internas?
 - ¿El aparato está expuesto a la luz solar directa o a una fuente de calor?
 - ¿Se han puesto demasiados alimentos calientes en el aparato?
 - La clase climática se encuentra en la etiqueta de clasificación en la parte posterior del aparato. Especifica las temperaturas ambientales a las que el aparato funcionará correctamente.

Clase climática	Temperatura ambiente
SN	de +10°C a 32°C
N	de +16°C a 32°C
ST	de +16°C a 38°C
T	de +16°C a 43°C

4. **El electrodoméstico hace ruido.**
Este ruido se produce cuando el motor del compresor funciona y también por el refrigerante que fluye en el circuito del sistema de refrigeración. Estos ruidos son normales.
5. **La condensación se acumula en las paredes externas**
Bajo ciertas condiciones atmosféricas, la condensación se puede formar en las paredes externas del aparato. Esto es normal y no afectará a la función del aparato.

SERVICIO POSVENTA

1. Resolver los fallos por sí mismo

Si sospecha que existe algún fallo, antes de ponerse en contacto con el servicio posventa autorizado directamente o a través de su distribuidor, asegúrese de que ha observado todas las instrucciones y consejos de este manual de usuario.

2. Servicio posventa

Consulte la tarjeta de garantía adjunta para conocer los servicios posventa disponibles.

Para recibir ayuda inmediata, asegúrese de tener listos los siguientes datos esenciales para identificar su aparato:

- ✓ Marca del electrodoméstico
- ✓ Modelo
- ✓ Número de serie
- ✓ El problema o la razón
- ✓ Fecha de compra
- ✓ Comprado a/proveedor

Para ponerse en contacto con la asistencia técnica, visite nuestro sitio web: <https://corporate.haier-europe.com/en/>. En la sección "websites", elija la marca de su producto y su país. Serás redirigido al sitio web específico donde podrás encontrar el número de teléfono y el formulario para contactar con la asistencia técnica.

DISPONIBILIDAD DE REPUESTOS

Termostatos, sensores de temperatura, placas de circuitos impresos y fuentes luminosas, durante un período de, como mínimo, siete años tras la introducción en el mercado de la última unidad del modelo.

Mangos de puerta, bisagras, bandejas y cestos, durante un período de, como mínimo, siete años, y juntas de puerta durante un período de, como mínimo, diez años tras la introducción en el mercado de la última unidad del modelo;

GARANTÍA

La garantía mínima es: 2 años para los países de la UE, 3 años para Turquía, 1 año para el Reino Unido, 1 año para Rusia, 3 años para Suecia, 2 años para Serbia, 5 años para Noruega, 1 año para Marruecos y 6 meses para Argelia. En Túnez no se requiere garantía legal."

PRECAUCIONES

- Si se va a desechar su armario, debe quitar la puerta y dejar los estantes en su lugar. Esto reducirá la posibilidad de peligro para los niños. Y la espuma inflamable debe ser eliminada por profesionales.

CONSEJOS PARA AHORRAR ENERGÍA

- Después de que el aparato haya estado en funcionamiento durante algún tiempo, se formará una capa de escarcha o hielo en las paredes interiores. Esto aumenta el consumo de energía. Para ahorrar energía y mantener el mejor rendimiento, por favor, descongele el congelador regularmente. Consulte el capítulo de instrucciones del usuario "Descongelación".

DECLARACIÓN DE CONFORMIDAD

El fabricante del producto/productos descritos en el presente documento, al que se refiere esta descripción, declara bajo su exclusiva responsabilidad que el producto/productos cumplen los requisitos fundamentales de seguridad, salud y protección del requisito pertinente del Reino Unido y la UE, y que los informes de prueba correspondientes están disponibles para su examen por las autoridades pertinentes y pueden solicitarse al vendedor del aparato, especialmente en lo que respecta a la Declaración CE de Conformidad emitida por el fabricante o con la aprobación del fabricante.

Además, el fabricante declara que las partes del aparato descritas en este manual de instrucciones que entran en contacto con alimentos frescos no contienen ninguna sustancia tóxica.

El fabricante trabaja constantemente en el desarrollo de todos los productos. Por lo tanto, tenga esto en cuenta ya que la forma, la configuración y la tecnología están sujetas a cambios, sin previo aviso.

Para más información sobre el producto, consulte <https://eprel.ec.europa.eu/> o escanee el QR en la etiqueta energética suministrada con el aparato.

SICHERHEITSVORKEHRUNGEN

- Dieses Gerät darf von Kindern ab 8 Jahren und Personen mit eingeschränkten körperlichen, sensorischen oder geistigen Fähigkeiten oder ohne Erfahrung und Wissen dann verwendet werden, wenn sie beaufsichtigt werden oder Anweisungen für den sicheren Gebrauch des Geräts erhalten und die damit verbundenen Gefahren verstanden haben.
- Kinder dürfen keinesfalls mit dem Gerät spielen.
- Kinder dürfen das Gerät nur unter Beaufsichtigung reinigen und instandhalten.
- Das Gerät muss so aufgestellt werden, dass der Stecker zugänglich ist..
- Ein beschädigtes Netzkabel muss vom Hersteller, dem zugelassenen Kundendienst oder ähnlichem Fachpersonal ausgewechselt werden, um Gefahren vorzubeugen.
- **WARNUNG:** Halten Sie die Lüftungsöffnungen im Gehäuse des Geräts oder der Einbaustruktur frei von Verstopfungen.
- **WARNUNG:** Benutzen Sie außer den vom Hersteller empfohlenen Mitteln keine mechanischen Geräte oder andere Hilfsmittel, um den Abtauvorgang zu beschleunigen.
- **WARNUNG:** Beschädigen Sie keinesfalls den Kühlkreislauf.
- **WARNUNG:** Benutzen Sie keine elektrischen Vorrichtungen in den Lebensmittel-Lagerfächern des Geräts, sofern diese nicht ausdrücklich vom Hersteller empfohlen wurden.
- Bitte wenden Sie sich an den Kundendienst, um das Gerät zu entsorgen, da brennbares Treibgas verwendet wurde.
- Wenn die Beleuchtungslampen beschädigt sind, müssen sie vom Hersteller, seinem Servicevertreter oder ähnlichem Fachpersonal ersetzt werden, um eine Gefährdung zu vermeiden.
- Lagern Sie in diesem Gerät keine explosiven Stoffe wie z.B. Aerosoldosen mit einem brennbaren Treibmittel.
- Gefrierschrank für den Einsatz in unbeheizten Räumen und außerhalb des Gebäudes bis -12 °C.
- Da brennbare Kältemittel verwendet werden, installieren, behandeln und warten Sie das Gerät bitte strikt nach den Anweisungen. Wenden Sie sich an den Fachhändler oder unseren Kundendienst, um das Gerät zu entsorgen.
- Ein Schalter ist in Geräte eingebaut, die mit Beleuchtung ausgestattet sind. Beim Öffnen des Geräts leuchtet das Licht automatisch auf und schaltet sich automatisch aus, wenn es geschlossen wird (nicht bei allen Modellen vorhanden).
- Vorschriften verlangen, dass das Gerät geerdet ist.
- Das Symbol auf dem Produkt oder seiner Verpackung weist darauf hin, dass dieses Produkt nicht als Haushaltsabfall behandelt werden darf. Bringen Sie es stattdessen zu einer dafür vorgesehenen Sammelstelle für die Wiederaufbereitung von Elektro- und Elektronikartikeln. Durch Sicherstelleneiner ordnungsgemäßen Entsorgung dieses Produktes tragen Sie dazu bei, mögliche negative Folgen für die Umwelt und die menschliche Gesundheit zu vermeiden, die andernfalls durch unangemessenen Umgang mit diesem Produkt verursacht werden könnten. Weitergehende Informationen zur Behandlung, Rückgewinnung und Wiederaufbereitung erhalten Sie bei den zuständigen Behörden, dem Abfallbeseitigungsdienstleister oder der Verkaufsstelle.
- **WARNUNG:** Achten Sie bei der Positionierung des Gerätes darauf, dass das Netzkabel nicht eingeklemmt oder beschädigt ist.
- **WARNUNG:** Es dürfen keine Mehrfachsteckdosen oder tragbare Netzteile auf der Rückseite des Geräts positioniert werden.
- Kinder im Alter von 3 bis 8 Jahren dürfen Kühlgeräte be- und entladen.
- Dieses Gerät ist für den Einsatz im Haushalt und ähnliche Anwendungen vorgesehen, wie z.B.:
 - Personalküche in Geschäften, Büros und anderen Arbeitsumgebungen;
 - Bauernhäuser und von Kunden in Hotels, Motels sowie anderen Wohnräumen;
 - Bed & Breakfast;
 - Catering und ähnliche Anwendungen außerhalb des Einzelhandels.
- Um eine Kontamination von Lebensmitteln zu vermeiden, beachten Sie bitte die folgenden Anweisungen:
 - Ein längeres Öffnen der Tür kann zu einem deutlichen Temperaturanstieg in den Fächern des Gerätes führen.
 - Reinigen Sie regelmäßig Oberflächen, die mit Lebensmitteln in Berührung kommen können, sowie zugängliche Drainagesysteme.
 - Bewahren Sie rohes Fleisch und Fisch in geeigneten Behältern im Gefrierschrank auf, so dass es nicht mit anderen Lebensmitteln in Berührung kommt oder auf diese tropft.
 - Falls das Kühlgerät über einen längeren Zeitraum leer bleibt, schalten Sie es aus, tauen es ab, reinigen und trocknen es, und lassen dann die Tür offen, um Schimmelbildung im Gerät zu vermeiden.
- Um die sichere Lagerung von Lebensmitteln zu gewährleisten, müssen Fertiggerichte und rohes Fleisch/Fisch getrennt gelagert werden.
- Dieses Kühlgerät ist nicht für die Verwendung als Einbaugerät bestimmt.